



Image may differ from product. See technical specification for details.

## 1207 ETN9

### Self-aligning ball bearing

Self-aligning ball bearings have two rows of balls, a common sphered raceway in the outer ring and two deep uninterrupted raceway grooves in the inner ring. They are insensitive to angular misalignment of the shaft relative to the housing, which can be caused, for example, by shaft deflection.

- Accommodate static and dynamic misalignment
- Excellent high-speed performance
- Excellent light load performance
- Low friction

# Overview

## Dimensions

Bore diameter	35 mm
Outside diameter	72 mm
Width	17 mm

## Properties

Retaining feature, inner ring	None
Locating feature, bearing outer ring	None
Number of rows	2
Bore type	Cylindrical
Cage	Non-metallic
Radial internal clearance	CN
Tolerance class	Normal
Material, bearing	Bearing steel
Coating	Without
Sealing	Without
Lubricant	None
Relubrication feature	Without

## Performance

Basic dynamic load rating	19 kN
Basic static load rating	6 kN
Reference speed	20 000 r/min
Limiting speed	13 000 r/min

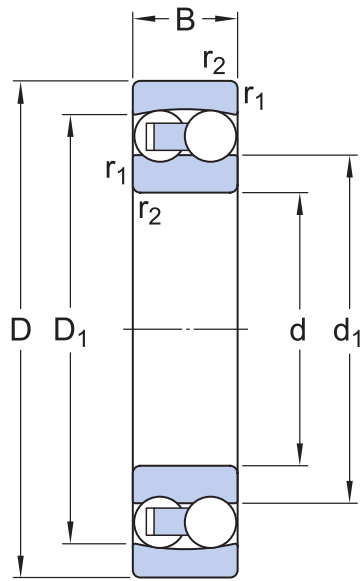
## Logistics

Product net weight	0.311 kg
eClass code	23-05-08-06
UNSPSC code	31171532

# Technical specification

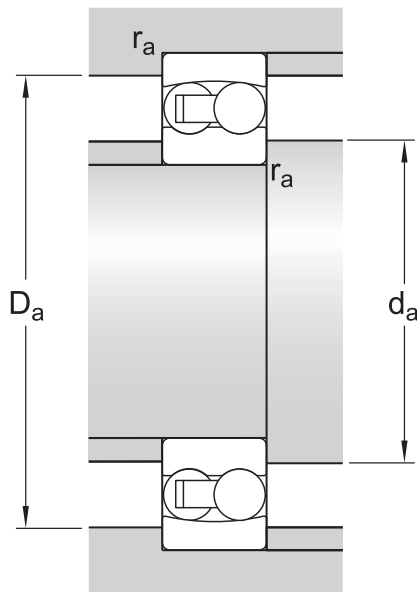
Bore type

Cylindrical



## Dimensions

$d$	35 mm	Bore diameter
$D$	72 mm	Outside diameter
$B$	17 mm	Width
$d_1$	$\approx 47$ mm	Shoulder diameter inner ring
$D_1$	$\approx 60.9$ mm	Shoulder diameter outer ring
$r_{1,2}$	min. 1.1 mm	Chamfer dimension



## Abutment dimensions

$d_a$	min. 42 mm	Abutment diameter shaft
$D_a$	max. 65 mm	Abutment diameter housing
$r_a$	max. 1.1 mm	Fillet radius

## Calculation data

Basic dynamic load rating	$C$	19 kN
Basic static load rating	$C_0$	6 kN
Fatigue load limit	$P_u$	0.305 kN
Reference speed		20 000 r/min
Limiting speed		13 000 r/min
Permissible angular misalignment	$\alpha$	$2.5^\circ$
Calculation factor	$k_f$	0.04
Limiting value	$e$	0.23

Calculation factor	$Y_0$	2.8
Calculation factor	$Y_1$	2.7
Calculation factor	$Y_2$	4.2

## Mass

---

Mass bearing

0.32 kg